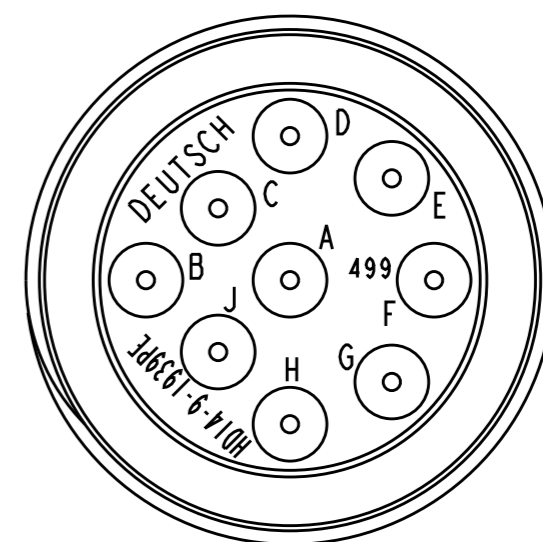
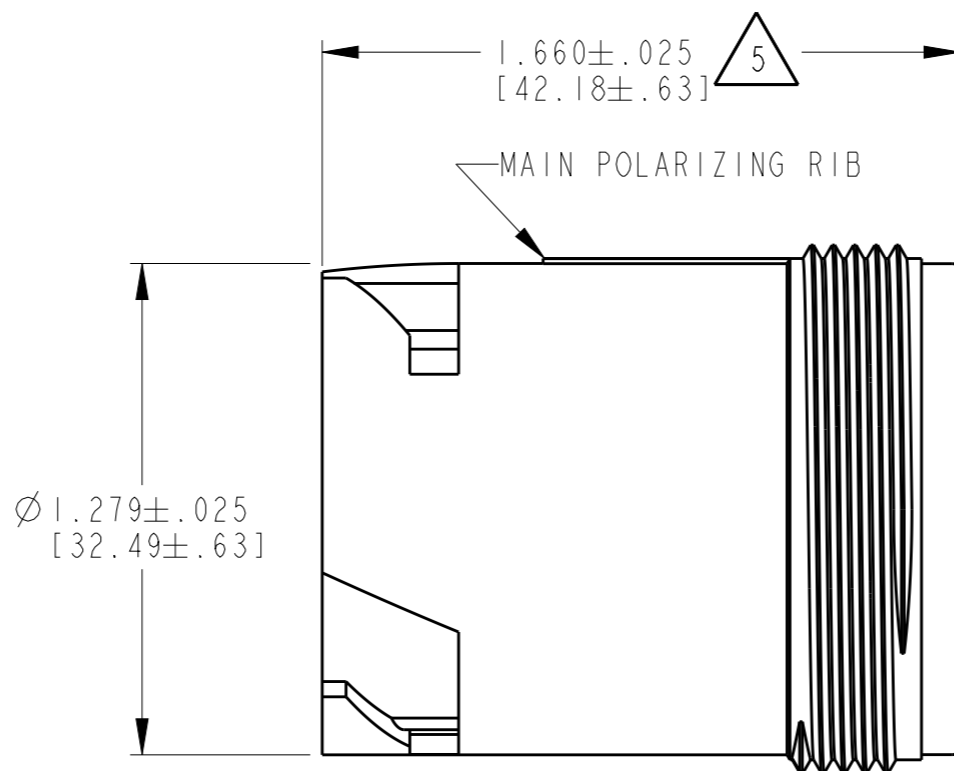
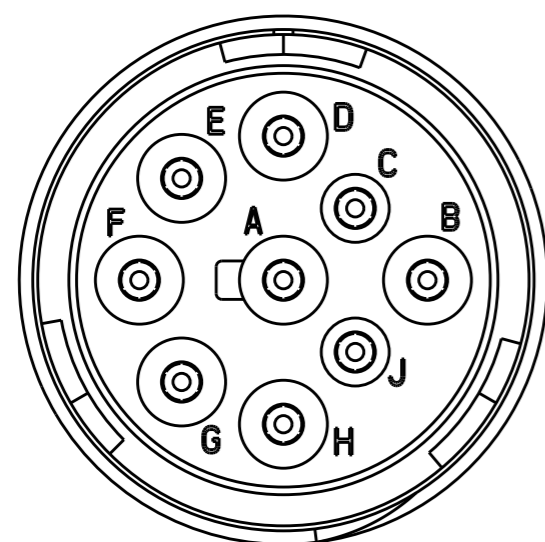


THIS DRAWING IS UNPUBLISHED. RELEASED FOR PUBLICATION
 © COPYRIGHT BY - ALL RIGHTS RESERVED.

LOC	DIST	REVISIONS					
		P	LTR	DESCRIPTION	DATE	DWN	APVD
-	-		-	NEW RELEASE PER E.O. PI5120	10-7-96	IG	RDR
			A	REVISED PER E.O. PI5192	1-7-97	IG	RDR
			AI	REVISED PER ECO-13-009013	3-28-13	JA	IG



THREAD 1.375-18 UNEF-2A

6. MATERIAL: SHELL: PLASTIC; SEAL: RUBBER.

5. OVERALL DIMENSION DOES NOT INCLUDE RUBBER GROMMET.

4. ALL DIMENSIONS ARE IN INCHES (MILLIMETERS).
 DIMENSION TOLERANCE ±.025 [.64] UNLESS OTHERWISE NOTED.


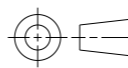
3. THIS CONNECTOR SERIES WILL ACCOMMODATE THE FOLLOWING WIRE INSULATION DIAMETERS.

CONTACT SIZE	MINIMUM O.D.	MAXIMUM O.D.	WIRE GAGE RANGE
16	.053 (1.35)	.120 (3.05)	18 THRU 14

2. CONSULT FACTORY FOR ELECTRICAL AND MATERIAL SPECIFICATIONS.

1. PERTINENT INFORMATION:
 18 & 16 AWG POWER CONTACTS SOC. # 0460-202-16141.
 16 & 14 AWG POWER CONTACTS SOC. # 0460-215-16141.

NOTES:

THIS DRAWING IS A CONTROLLED DOCUMENT.		DWN 18APR2013 JAIME C. APOSTOL		 TE Connectivity	
DIMENSIONS: INCHES [mm]		CHK 18APR2013 ILINA GRANICHAROVA			
		TOLERANCES UNLESS OTHERWISE SPECIFIED:		NAME RECEPTACLE CONNECTOR HD10 SERIES ARR. 9-1939, COLOR: BLACK ENVELOPE	
MATERIAL -		FINISH -		PRODUCT SPEC -	
				APPLICATION SPEC -	
				WEIGHT -	
				SIZE A3	
				CAGE CODE 00779	
				DRAWING NO. HD14-9-1939PE	
				RESTRICTED TO -	
				SCALE NONE	
				SHEET 1 OF 1	
				REV AI	